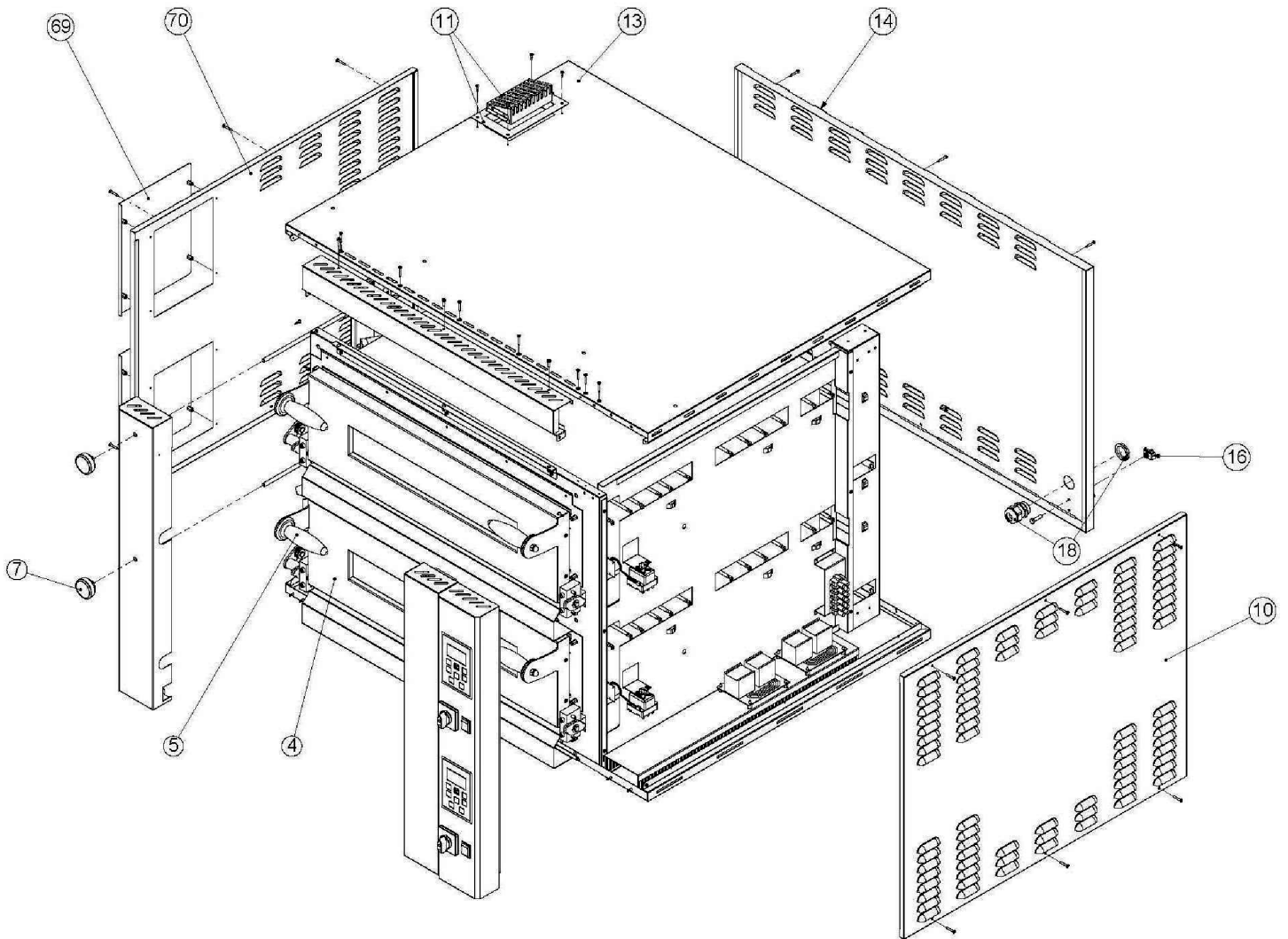


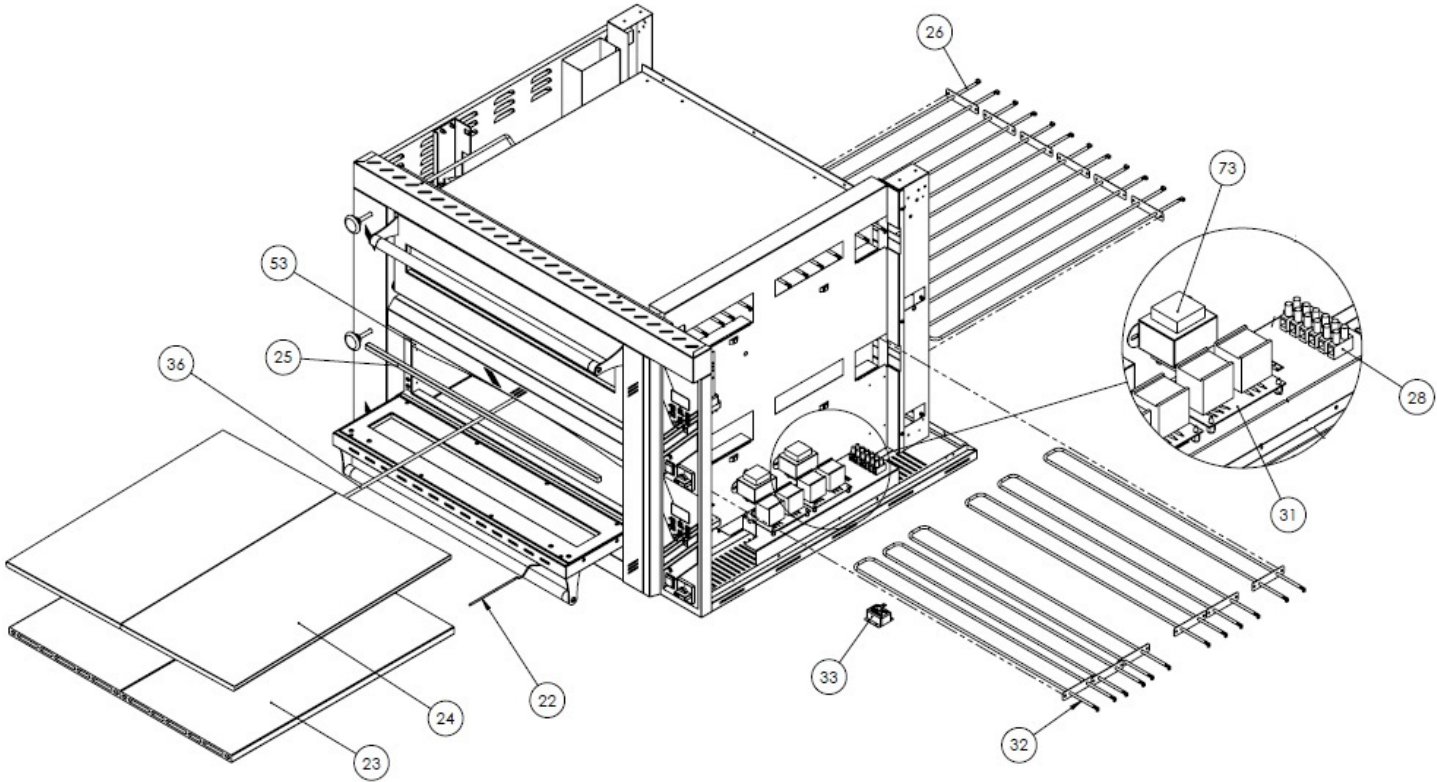
PARTS BREAKDOWN

ITEM	MODEL
40643	PE-IT-0049-DD



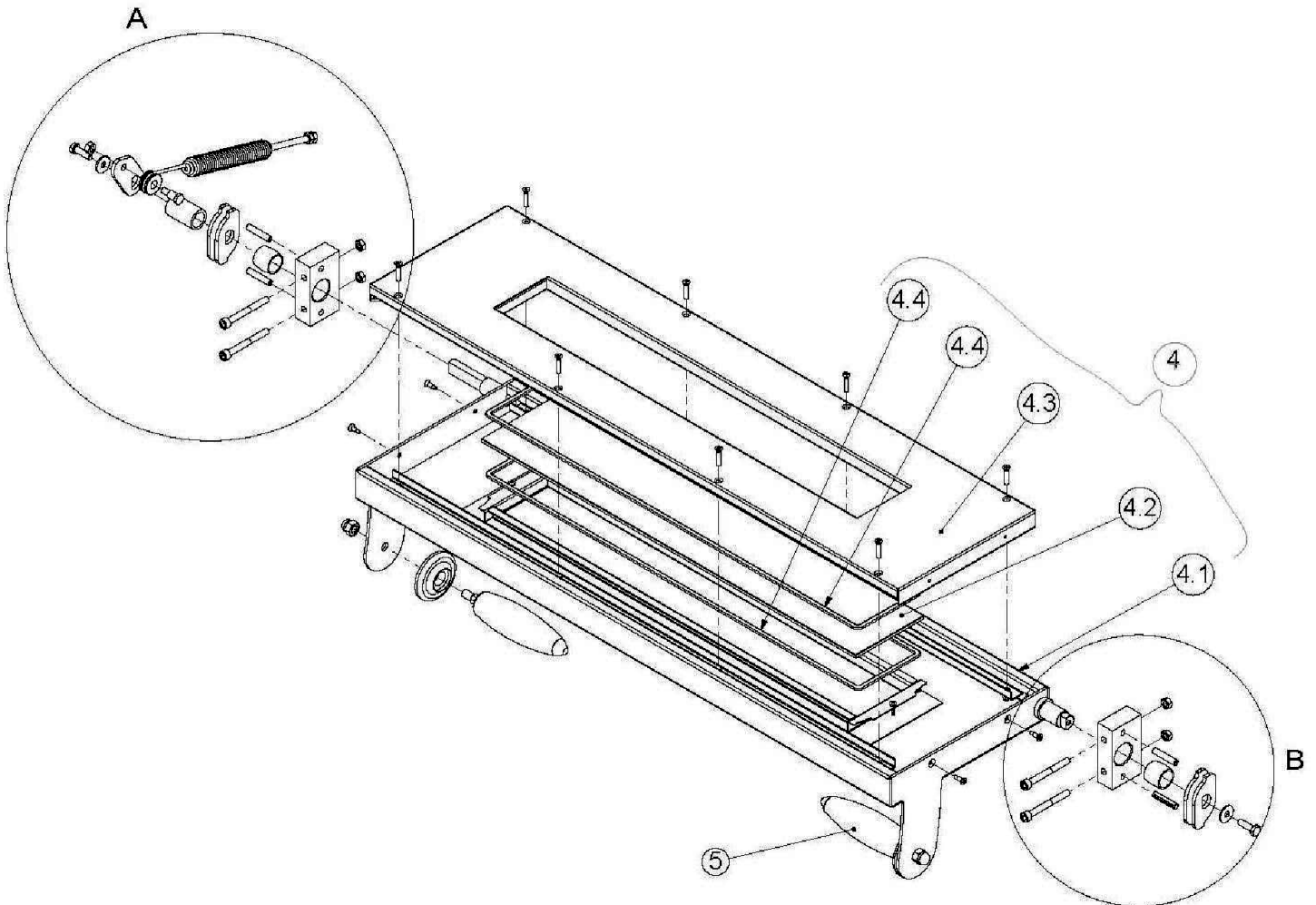
PARTS BREAKDOWN

ITEM	MODEL
40643	PE-IT-0049-DD



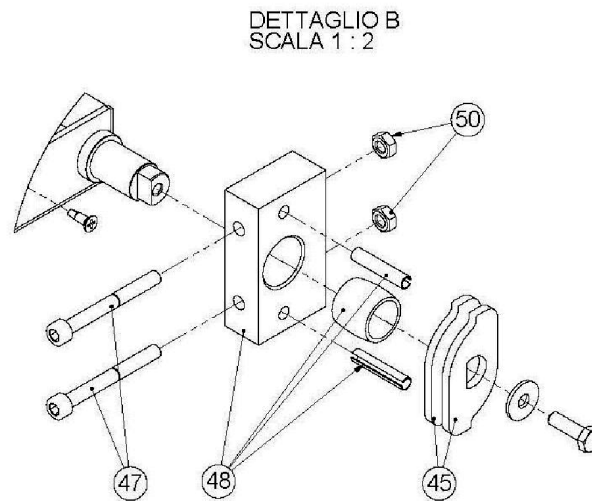
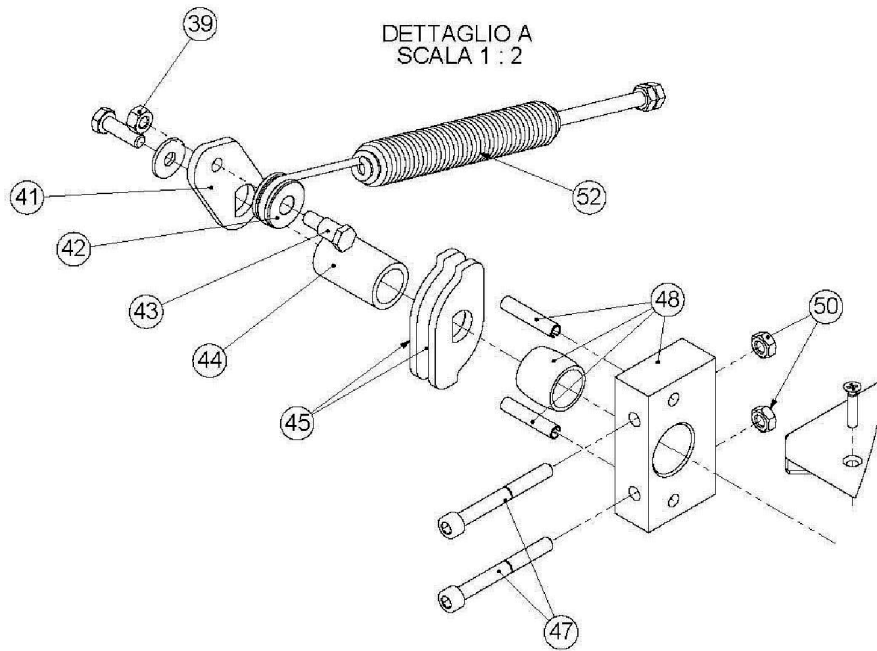
PARTS BREAKDOWN

ITEM	MODEL
40643	PE-IT-0049-DD



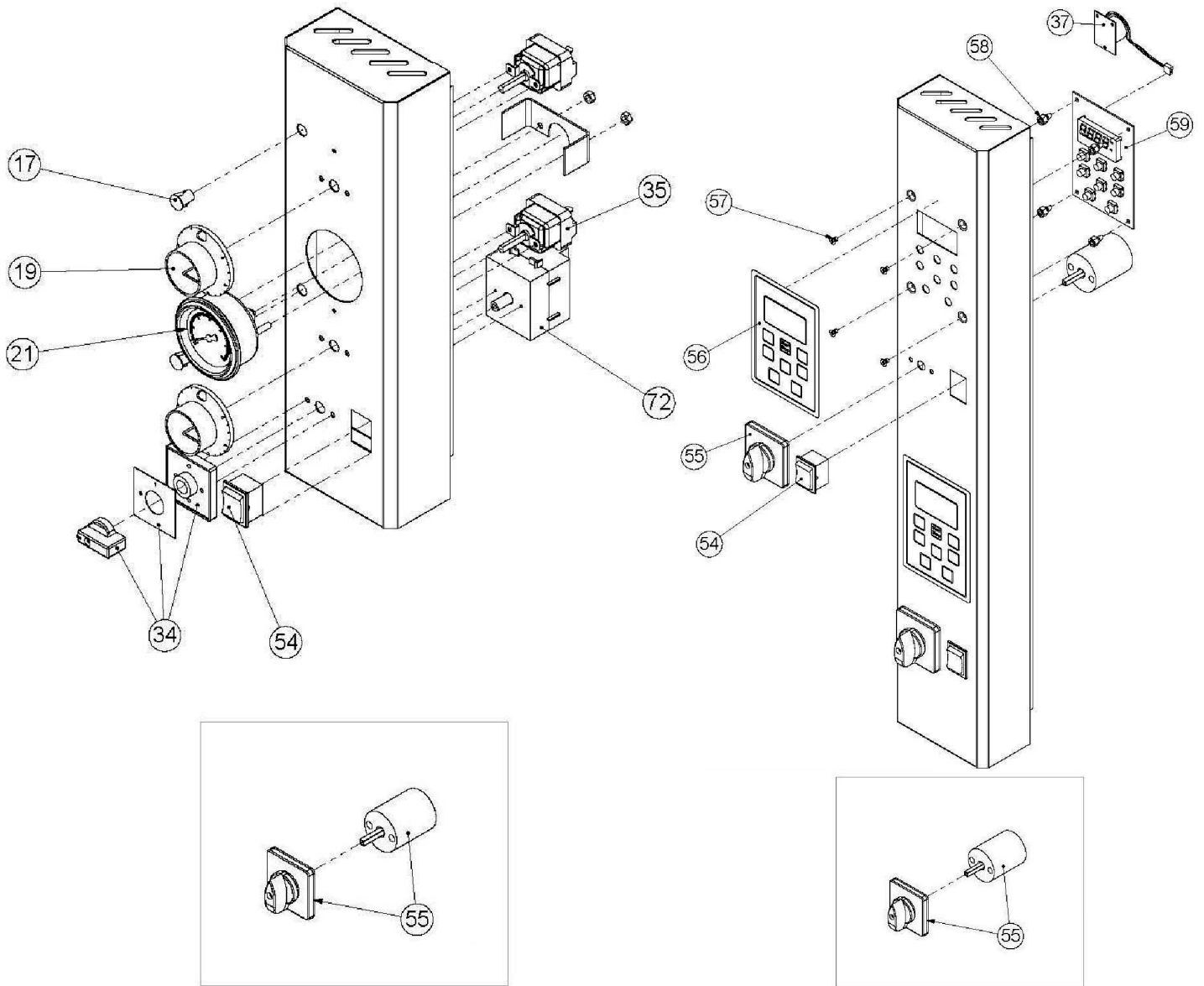
PARTS BREAKDOWN

ITEM	MODEL
40643	PE-IT-0049-DD



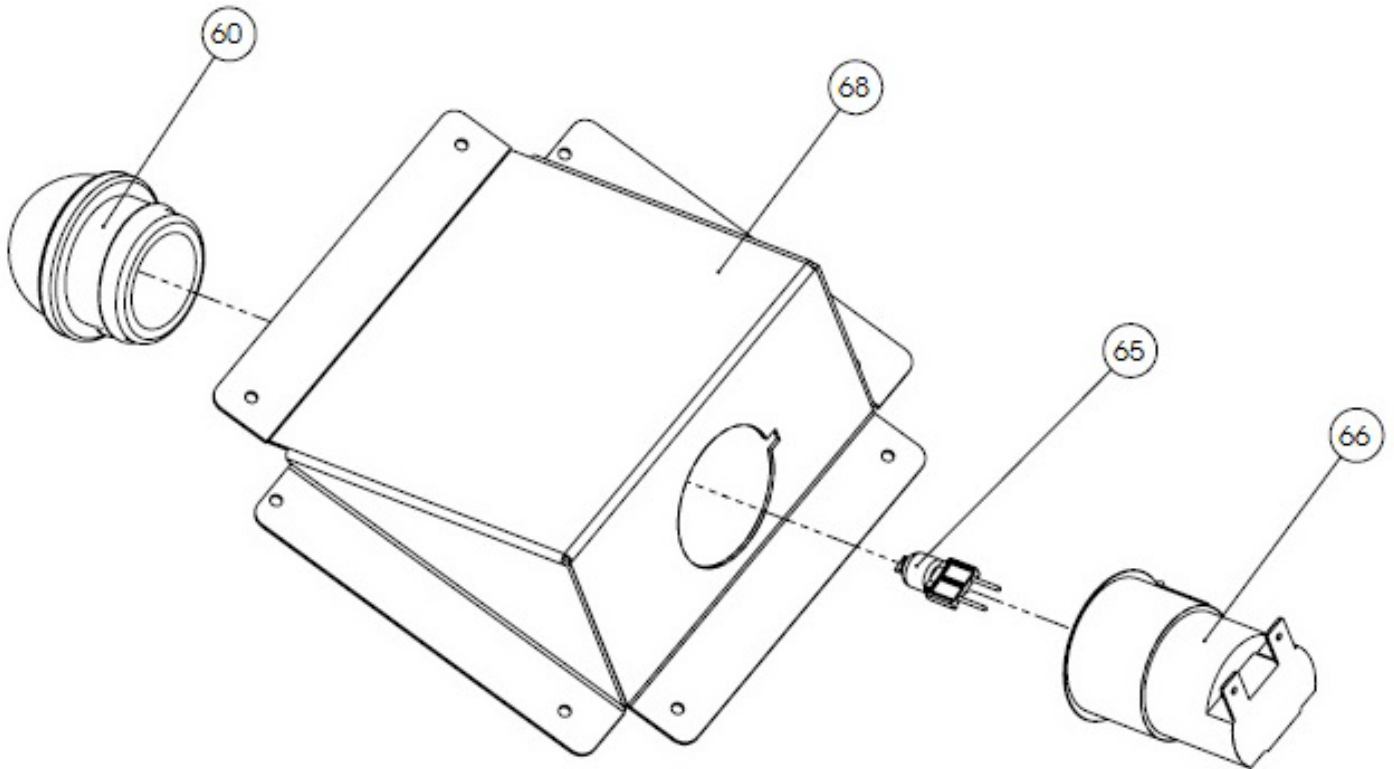
PARTS BREAKDOWN

ITEM	MODEL
40643	PE-IT-0049-DD



PARTS BREAKDOWN

ITEM	MODEL
40643	PE-IT-0049-DD



PARTS BREAKDOWN

ITEM	MODEL
40643	PE-IT-0049-DD

Item No.	Description	Position	Item No.	Description	Position	Item No.	Description	Position
74732	Complete Oven Door for 40643	4	42041	Resistance 400 W 230 V for 40643	26	74776	Hexagonal Nut DIN 934 M6 for 40643	50
74733	Complete Oven Assembly for 40643	4.1	42831	Terminal Board PA220FV 12 Poles 16sqmm 750V-76A for 40643	28	42033	Professional Spring for 40643	52
74734	Glass-Ceramic Plate 865x94x-4mm for 40643	4.2	42030	Pizza Oven Relays Board for 40643	31	74778	Cord Support for 40643	53
74735	Oven Door-Frame Assembly for 40643	4.3	74823	Resistance 900 W 230 V for 40643	32	42844	Luminous Bi-Polar Switch 0-1 CV2 for 40643	54
74801	Tape in White Glass Fibre with Adhesive 6x2mm for 40643	4.4	74824	Unipolar Safety Thermostat for 40643	33	42035	16 A Actuator P0160004R001 4-Polar Switch for 40643	55
74737	Oven Door Handle Assembly for 40643	5	74762	Heaters Support for 40643	36	60355	Thermo/Timer "2000" L Label for 40643	56
74738	Lobed Hand Wheel for 40643	7	77287	Washer Ø 6.4 DIN 9021 for 40643	37	74782	Flat Head Screw DIN 964 A M4x6 for 40643	57
74739	Oven Side Panel for 40643	10	74746	Nut for Cable Gland OBO 106 PG 21 for 40643	38	61377	Plastic Shim CF06H4080-1806 for 40643	58
74740	Plaque for Flue Cover for 40643	11	74765	Self-Locking Nut M6 DIN 980 V for 40643	39	42032	P1-P2 Professional "2009" Thermo/Timer Control Unit for 40643	59
74741	Flue Cover Assembly for 40643	11	74766	Hex Head Nut DIN 933 M6x20 for 40643	40	42046	Dome-Form Lamp Glass 77.222.-503.00 for 40643	60
74742	Superior Cover for 40643	13	74767	Spring Fixing Spline for 40643	41	74855	Halogen Bulb 12V 20W G4 for 40643	65
74743	Rear Panel for 40643	14	74768	Wheel Rotation Pin Professional Release 2011 for 40643	42	74856	Bulb Holder G4 12V 20W BJB 77.912 for 40643	66
42837	Equipotential Attachment (OBO. T5012+OBO.5016M5) for 40643	16	74769	Spring Rotation Wheel Professional Release 2011 for 40643	43	74858	Bulb Holder Support for 40643	68
74746	Nut for Cable Gland OBO 106 PG 21 for 40643	18	74770	Door Spline Shim for 40643	44	62493	Transformer 40VA 50/60HZ 230V-12V for 40643	73
74747	Cable Gland OBO 106 PG 21 for 40643	18	74767	Spring Fixing Spline for 40643	45	AM699	Thermostat Probe Support Safety T.D. 8438.90.00 (Bracket) for 40643	
74750	Probe T4JA44VH25IPD-F S/M 600° for 40643	22	74772	Countersunk Hex Head Screw M6x55 for 40643	47	AM700	Unipolar Safety Thermostat 512TH - UL (55.13584.010) T.D. 8514.90.70 for 40643	
44772	Perforated Block 700x350x22 for 40643	23	74773	Door Fixing Block for 40643	48	AM701	Vite TC+ Autofor. 3.9x13 ZN NR 24.00 N8E T.D. 7318.12.10 for 40643	
76650	Brick 350x700x14 for 40643	24	74774	Door Rotation Bush for 40643	48			
74753	Cord for 40643	25	74775	Shot Pin Ø 3x16 for 40643	48			